



**my2025 CNC MACHINED  
PARTS CATALOGUE  
CATALOGO FRESATI NERI my2025**



160 4S - MY2025



RT 110 A - MY2025  
RT 160 4S - MY2025

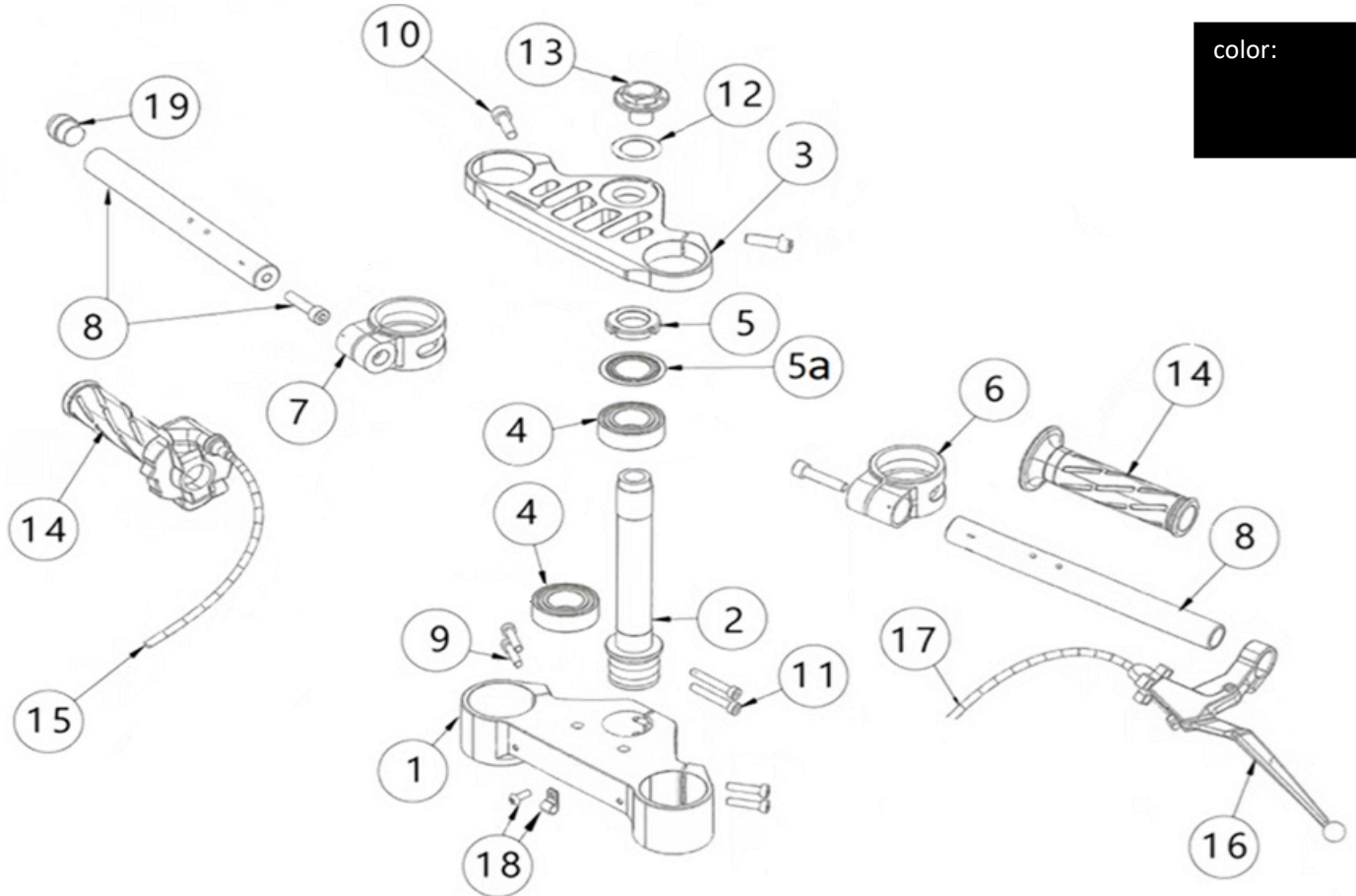
160 4S - MY2025  
190 4S - MY2025

my25 - BLACK

STEERING ASSY

GRUPPO STERZO

color:  
[Black box]



N.	Cod.	Description	Descrizione	Note
1	03.ST.0001.B	Fork lower plate - <b>MY25 BLK</b>	PIASTRA INF. STERZO - <b>MY25 BLK</b>	
2	03.ST.0003.L	Steering head	PERNO STERZO	
3	03.ST.0053.L	Fork upper plate - <b>MY25 BLK</b>	PIASTRA SUP. STERZO - <b>MY25 BLK</b>	
4	01.ST.0005.L	Tapered Roller Bearing	CUSCINETTO STERZO RULLI CONICI	
5	03.ST.0004.L	Ring nut, fixing	GHIERA FISS. PERNO STERZO	
5a	01.ST.0102.L	Steering seal	PARAPOLVERE STERZO EVO	
6	03.MA.0052.L	LEFT half-handl. collar - <b>MY25 BLK</b>	BRACCIALE SEMIM. SX - <b>MY25 BLK</b>	
7	03.MA.0051.L	RIGHT half-handl. collar - <b>MY25 BLK</b>	BRACCIALE SEMIM. DX - <b>MY25 BLK</b>	
8	03.ST.0050.L	Half-handlebar - <b>MY25 BLK</b>	SEMIMANUBRIO - <b>MY25 BLK</b>	
9	01.FA.0008.L	Screw TCEI M6x25	VITE TCEI M6X25 UNI 5931	
10	01.RA.0015.L	Screw TCEI M8x25	VITE TCEI M8X25 UNI 5931	
11	01.FA.0007.L	Screw TCEI M6x40	VITE TCEI M6X40 UNI 5931	
12	01.ST.0009.L	Washer D. 16x30x0.5	RONDELLA D.16X30X0,5	
13	01.ST.0007.L	Fixing screw steering plates	VITE FISSAGGIO PIASTRE STERZO	
14	01.MA.0004.L	Throttle control with handgrips	COMANDO GAS COMPLETO	
15	01.MA.0014.L	Throttle wire	CAVO GAS	
15	03.MA.0013.L	Throttle wire mod. 110 A	CAVO GAS GP-0 110A	
16	03.MA.0023.L	Clutch control Domino	COMANDO FRIZIONE Domino	
17	01.MA.0031.L	Clutch wire	CAVO FRIZIONE	
18	01.FA.0014.L	Wire fix with fixing screw	FERMACAVO	
19	01.MA.0009.L	Half-handlebar plastic bumper	TAMPONE TEFLON MANUBRIO	

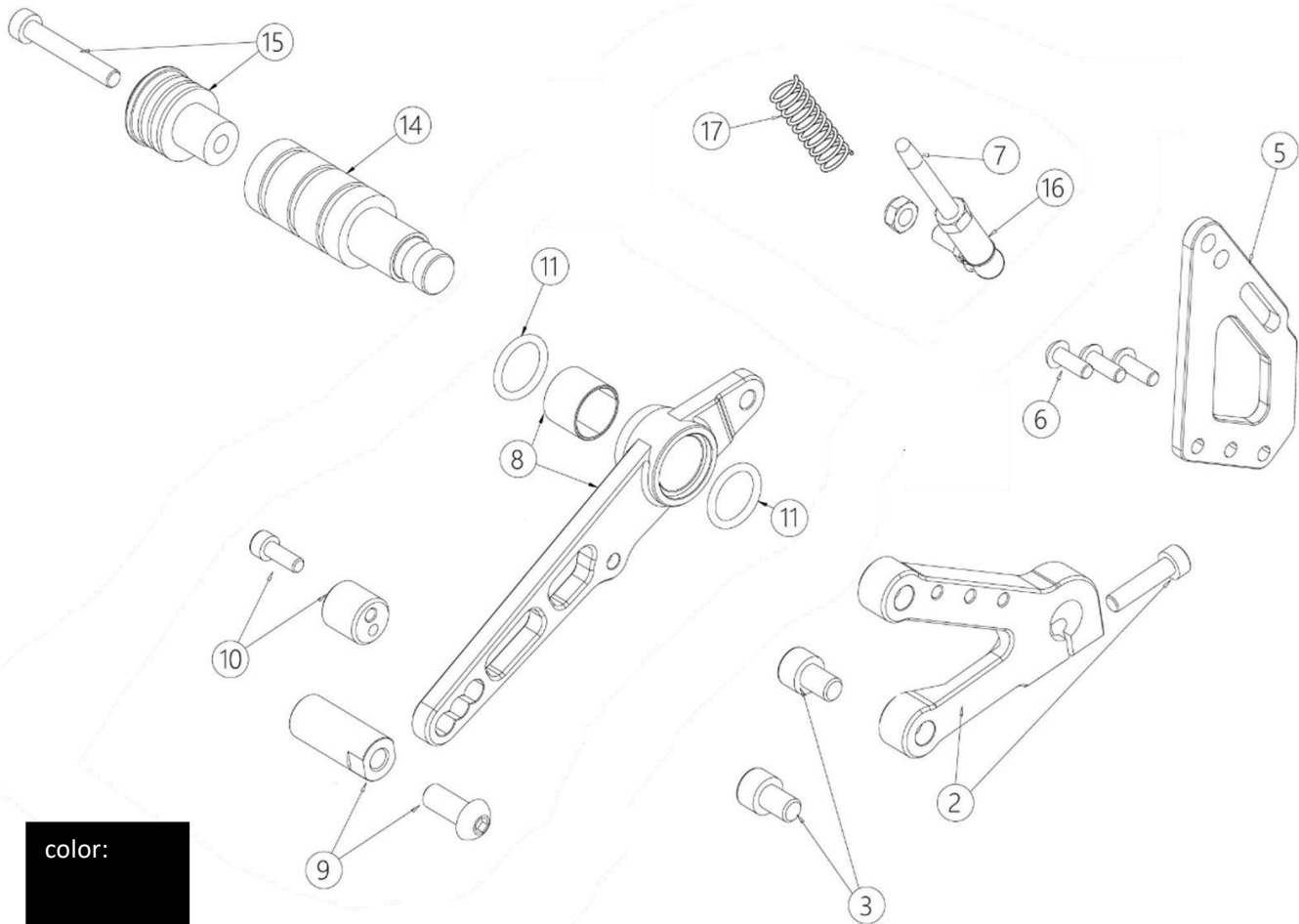
components that **MUST** be assembled together

componenti che **DEVONO** essere montati assieme

my25 - BLACK

RIGHT FOOTREST ASSY

GRUPPO PEDANA DESTRA



N.	Cod.	Description	Descrizione	Note
2	03.PE.0051.L	RIGHT footrest support - <b>MY25 BLK</b>	SUPPORTO PEDANA DX - <b>MY25 BLK</b>	
5	03.PE.0054.L	Rear brk master cyl sup - <b>MY25 BLK</b>	SUPP. POMPA FR. POST - <b>MY25 BLK</b>	
3	03.IF.0028.L	Screw TCEI M8x14	VITE TCEI M8X14	
6	01.AS.0012.L	Screw TBEI M5x10	VITE TBEI M5X10	
7	03.IF.0026.L	Rear brake pump toe (JJuan)	PUNTALINO POMPA FRENO POST (JJuan)	
8	01.PE.0011.B	Rear brake lever - <b>MY25 BLK</b>	LEVA FRENO POST DESTRA - <b>MY25 BLK</b>	
9	01.PE.0003.B	Pins brake / shift lever - <b>MY25 BLK</b>	PIOLINO LEVA CAMBIO FRENO - <b>MY25 BLK</b>	
10	01.PE.0015.B	Rear brake lever register - <b>MY25 BLK</b>	REGISTRO LEVA FRENO - <b>MY25 BLK</b>	
11	01.PE.0021.L	OR 3068 (2.62x17.12)	OR 3068	
14	03.PE.0050.L	Footrest - <b>MY25 BLK</b>	PEDANA - <b>MY25 BLK</b>	
15	01.PE.0006.B	Nylon bumper - <b>MY25 BLK</b>	TAMPONE PEDANA NYLON - <b>MY25 BLK</b>	
16	01.IF.0017.I	RH ball Joint	ROTULA DX	
17	01.IF.0013.L	Brake lever return spring	MOLLA RITORNO LEVA FRENO	

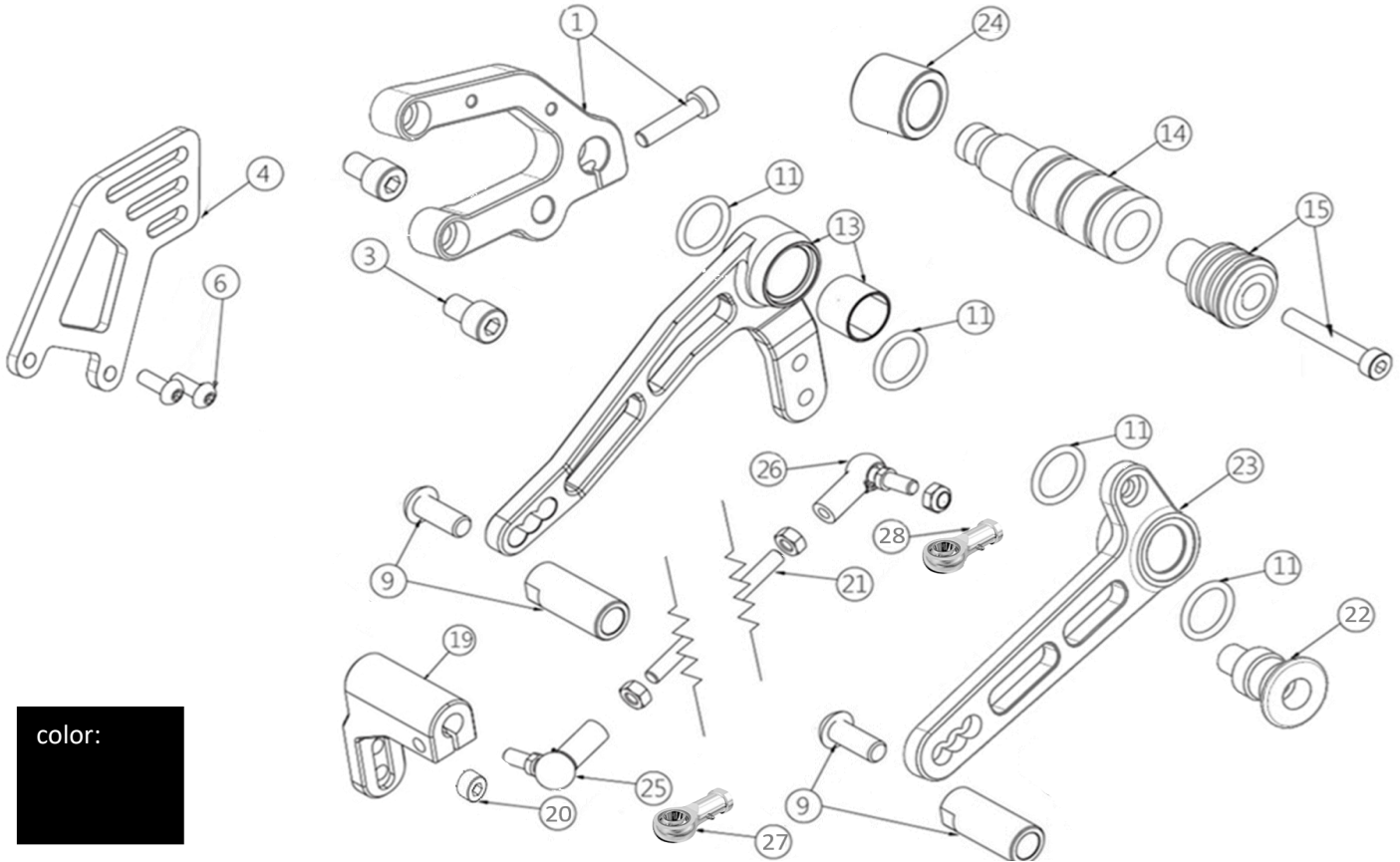
components that **MUST** be assembled together

componenti che **DEVONO** essere montati assieme

my25 - BLACK

LEFT FOOTREST ASSY

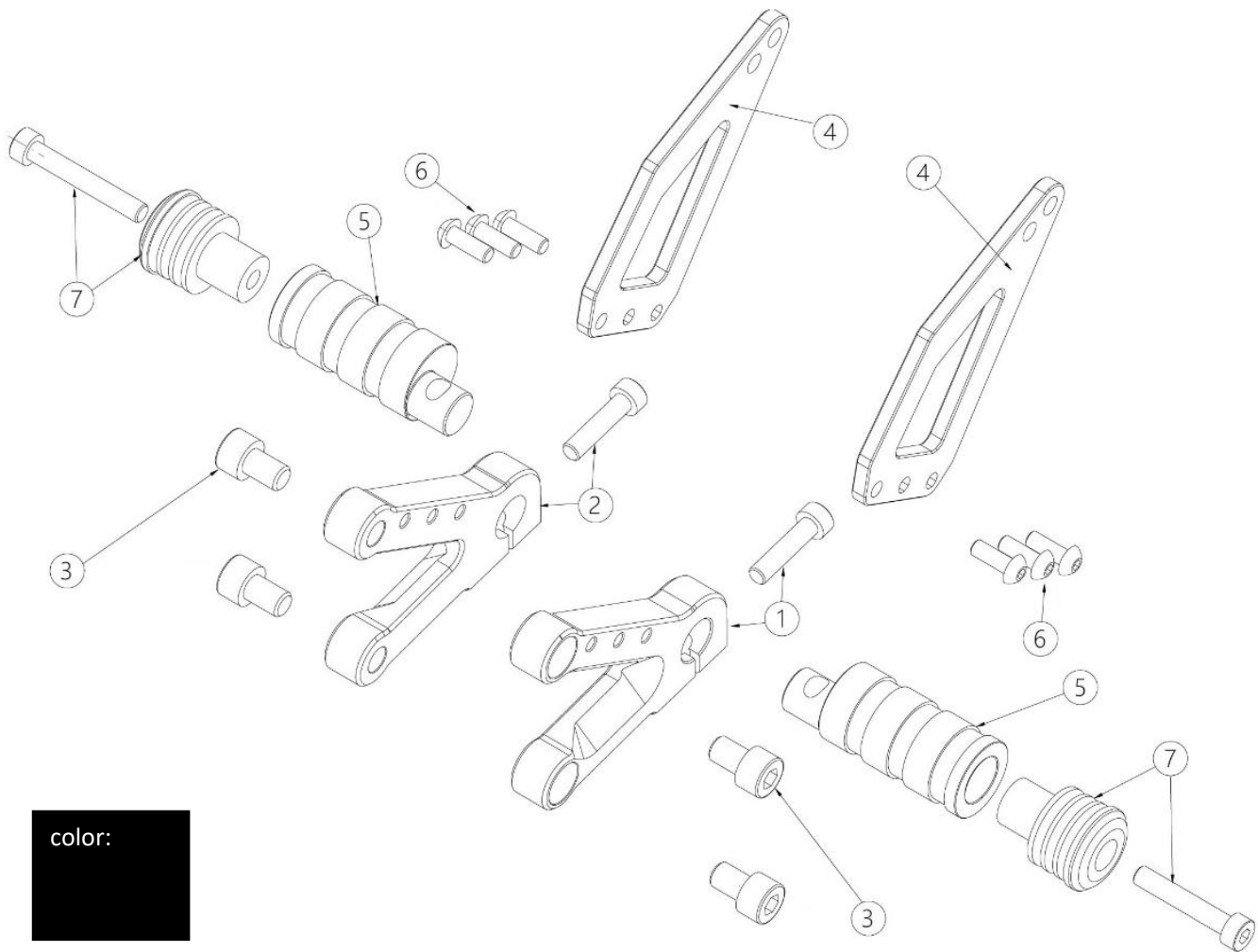
GRUPPO PEDANA SINISTRA



N.	Cod.	Description	Descrizione	Note
1	03.PE.0052.L	LEFT footrest support - <b>MY25 BLK</b>	SUPPORTO PEDANA SX - <b>MY25 BLK</b>	
3	03.IF.0028.L	Screw TCEI M8x14	VITE TCEI M8X14	
4	03.PE.0053.L	Toe guard - <b>MY25 BLK</b>	PARATACCO - <b>MY25 BLK</b>	
6	01.AS.0012.L	Screw TBEI M5x10	VITE TBEI M5X10	
9	01.PE.0003.B	Pins brake / shift lever - <b>MY25 BLK</b>	PIOLINO LEVA CAMBIO FRENO - <b>MY25 BLK</b>	
11	01.PE.0021.L	OR 3068 (2.62x17.12)	OR 3068	
13	01.PE.0016.B	Shift lever - <b>MY25 BLK</b>	LEVA CAMBIO - <b>MY25 BLK</b>	
14	03.PE.0050.L	Footrest - <b>MY25 BLK</b>	PEDANA - <b>MY25 BLK</b>	
15	01.PE.0006.B	Nylon bumper - <b>MY25 BLK</b>	TAMPONE PEDANA NYLON - <b>MY25 BLK</b>	
19	03.PE.0015.L	FLAT joint spacer	DISTANZIALE SNODO PIATTO	
20	01.PE.0012.L	Gearshift arm	RINVIO CAMBIO MILLERIGHE	
21	02.PE.0011.L	STD Gearshift tie rod	ASTA CAMBIO	
21	03.PE.0024.L	REV Gearshift tie rod	ASTA CAMBIO ROV.	
21	03.PE.0014.L	REV Gearshift tie rod - Quickshifter	ASTA CAMBIO - ROV per Quickshift	
22	03.PE.0020.L	Stud, Quick type lever	PERNO per LEVA TIPO QUICK	
23	03.PE.0016.B	Gearshift lever reverse - <b>MY25 BLK</b>	LEVA CAMBIO ROV. TIPO QUICK - <b>MY25 BLK</b>	
24	01.OT.0215.L	LEFT footrest spacer	DISTANZIALE PEDANA CAMBIO ROV.	
25	01.IF.0017.L	RH ball joint	ROTULA DX	
26	01.PE.0010.L	LH ball joint	ROTULA SX	
27	02.PE.0013.L	RH FLAT ball joint	SNODO PIATTO DX	
28	02.PE.0014.L	LH FLAT ball joint	SNODO PIATTO SX	

components that **MUST** be assembled together

componenti che **DEVONO** essere montati assieme



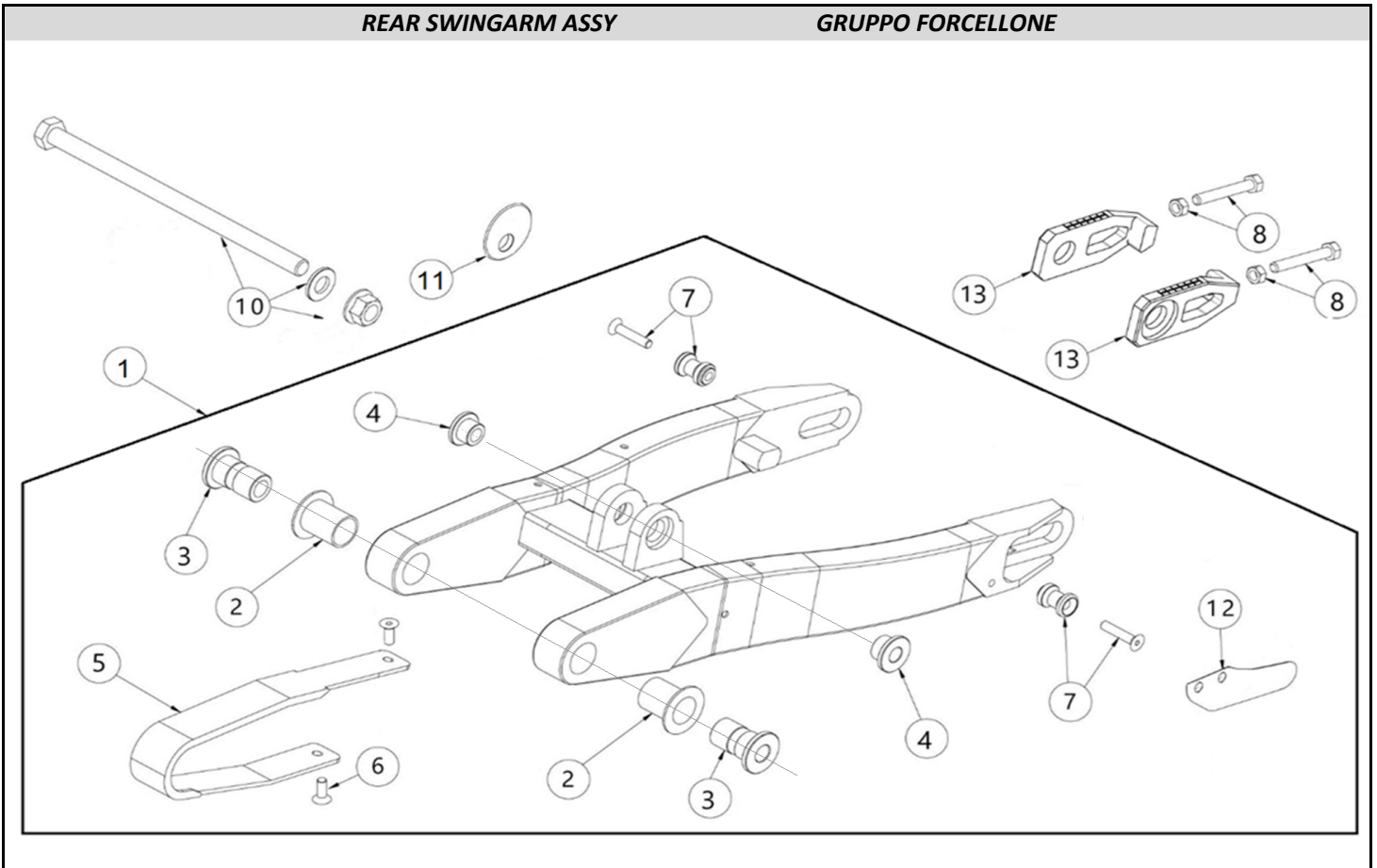
N.	Cod.	Description	Descrizione	Note
1	03.PE.0052.L	LEFT footrest support - <b>MY 25 BLK</b>	SUPPORTO PEDANA SX - <b>MY 25 BLK</b>	
2	03.PE.0051.L	RIGHT footrest support - <b>MY 25 BLK</b>	SUPPORTO PEDANA DX - <b>MY 25 BLK</b>	
3	03.IF.0028.L	Screw TCEI M8x14	VITE TCEI M8X14	
4	03.PE.0053.L	Toe guard - <b>MY 25 BLK</b>	PARATACCO - <b>MY 25 BLK</b>	
5	03.PE.0055.L	Footrest - <b>MY 25 BLK</b>	PEDANA MONOMARCIA - <b>MY 25 BLK</b>	
6	01.AS.0012.L	Screw TBEI M5x10	VITE TBEI M5X10	
7	01.PE.0006.B	Nylon bumper - <b>MY25 BLK</b>	TAMPONE PEDANA NYLON - <b>MY25 BLK</b>	



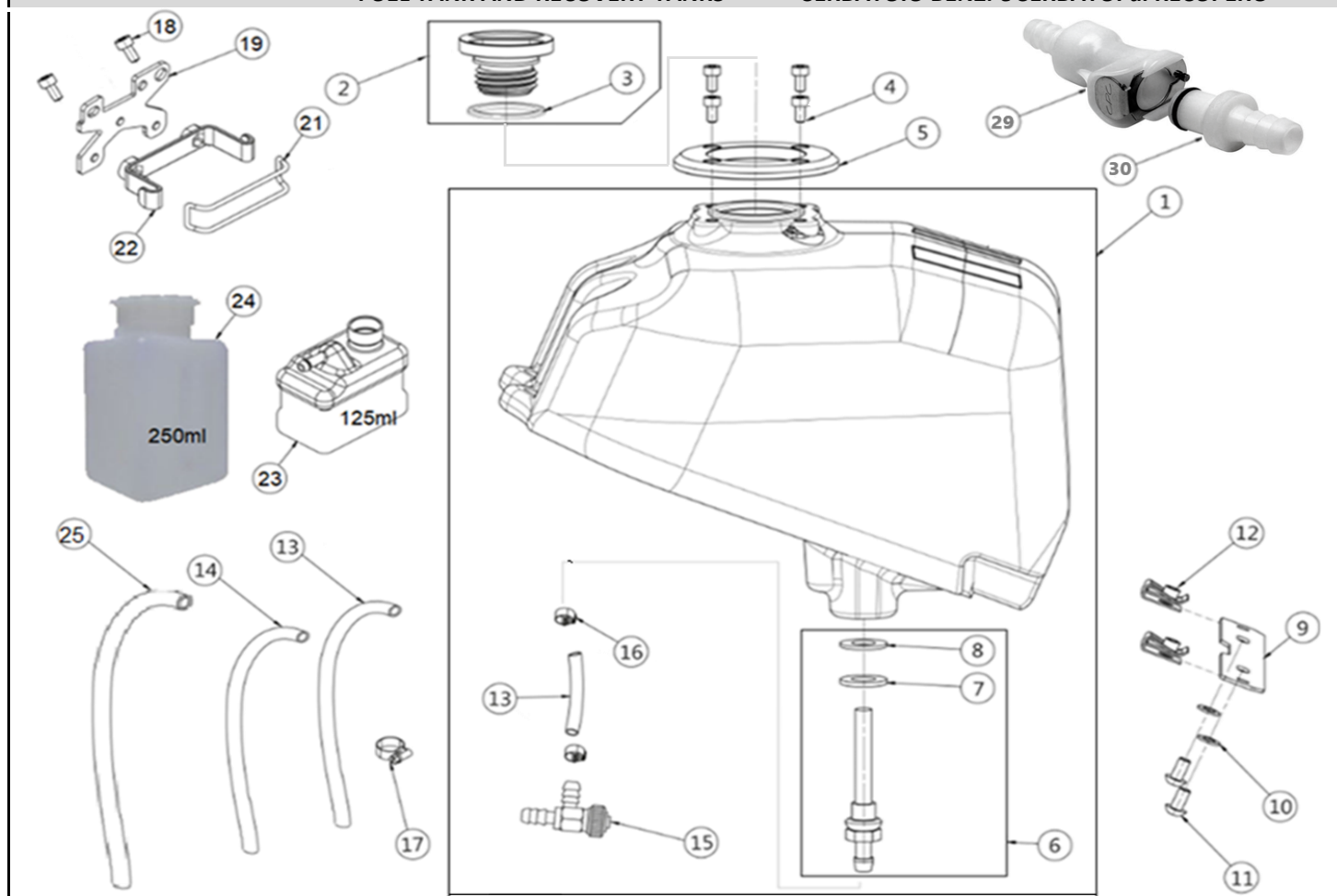
components that **MUST** be assembled together

componenti che **DEVONO** essere montati assieme



**REAR SWINGARM ASSY**
**GRUPPO FORCELLONE**


N.	Cod.	Description	Descrizione	Note
1	03.FO.0010.L	Complete swingarm	FORCELLONE GP-2 COMPL.	3
2	01.FO.0002.L	Bush PTF 20315 SL	BOCCOLA PTF 20315 SL	
3	01.FO.0005.L	Swingarm pin bush	BOCCOLA PERNO FOCELLONE	
4	01.AM.0003.L	Fixing shock absorber bush	BOCCOLA FISSAGGIO AMMORTIZZ.	
5	01.FO.0006.L	Chain guide	PATTINO SCORRICATENA	
6	01.FO.0016.L	Screw TSEI M6x16	VITE TSEI M6X16 UNI 5933	
7	01.FO.0010.L	Rear stand pin w/screw M6	NOTTOLINO FISS. CAVALLETTO M6	
7	<b>02.FO.0013.B</b>	<b>Rear stand pin w/screw M8 - BLACK</b>	<b>NOTTOLINO FISS. CAVALLETTO M8 BLACK</b>	
8	01.FO.0013.L	Screw TE M6x50	VITE TE Total.filett. M6X50	
10	01.FO.0021.L	Swingarm pivot M12x220 - complete	PERNO FORCELLONE COMPLETO	
10a	01.RA.0013.L	Nut - front wheel pivot	DADO AUTOFR.FLANGIATI 8G M12	
11	03.FO.0020.L	Pivot washer	RONDELLA PERNO FORCELL.	
12	01.FO.0007.L	Chain guard	PARACATENA	
13	03.FO.0022.L	Racing Chain Tensioner - EVO	TENDICATENA RACING - EVO	
13	<b>03.FO.0022.B</b>	<b>Racing Chain Tensioner - EVO BLACK</b>	<b>TENDICATENA RACING - EVO BLACK</b>	

**FUEL TANK AND RECOVERY TANKS**
**SERBATOIO BENZ. e SERBATOI di RECUPERO**


N.	Cod.	Description	Descrizione	Note
1	01.SE.0201.L	Fuel tank	SERBATOIO	
2	01.SE.0204.B	Fuel tank cap - <b>BLACK</b>	TAPPO SERBATOIO - <b>BLACK</b>	
3	01.SE.0207.L	Fuel tank cap O-Ring VITON	O-RING VITON TAPPO SERB.	
4	01.SE.0208.L	Screw TCEI M4x8 INOX	VITE TCEI M4X8 UNI 5931	
5	01.SE.0007.B	Fuel tank ring nut - <b>BLACK</b>	GHIERA ESTERNA FISS. SERB - <b>BLACK</b>	
6	01.SE.0203.L	Vertical link M10x1 ( with filter )	RACCORDO VERT M10x1 con filtro	
7	01.AM.0006.L	Washer M10 D.10.5x20x2	RONDELLA PIANA M10 D.10,5X20X2	
8	01.SE.0209.L	Fuel tank gasket VITON 10x20x1.5	GUARNIZ VITON SERBAT 10x20x1,5	
9	01.SE.0202.L	Fuel tank support	TRAVERSINO SUPP SERBATOIO PL.	
10	01.AS.0013.L	Washer M5	RONDELLA PIANA M5 D.5,3x10x1	
11	01.AS.0012.L	Screw TBEI M5x10	VITE TBEI M5X10 UNI 7380	
12	01.SE.0013.L	Clips M5 ( EUROFIX FX70304 )	CLIPS M5 (EUROFIX FX 70304)	
13	01.SE.0014.L	Fuel tube D.6x11 ( 1 mt )	TUBO BENZINA 6X11 NERO	
14	01.SE.0015.L	Fuel tube D.4x8 ( 1 mt )	TUBO BENZINA 4X8 NERO	
15	01.SE.0011.L	Fuel tap	RUBINETTO SERBATOIO	
16	01.SE.0034.L	Band Clic	FASCETTA STRINGITUBO A CLIC	
17	01.SE.0030.L	Tighten tube band	FASCETTA STRINGITUBO A VITE	
18	01.SE.0025.L	Screw TCEI M6x12 rib UNI 7984	VITE TCEI RIB. M6X12 UNI 7984	
19	01.AS.0011.L	Recovery tank bracket	STAFFA FISS SERBAT RECUPERO	
21	01.SE.0036.L	Recovery tanks rubber band	OR FISSAGGIO SERBATOIO RECUPERO	
22	01.SE.0022.L	Recovery tank plastic support	SUPPORTO SERBATOIO RECUPERO	
23	01.SE.0021.L	Reservoir tank 125ml	SERBATOIO RECUPERO - 125ml	
24	01.OT.0336.L	Reservoir tank 250ml - RTGS	SERBATOIO RECUP. 250ml - RTGS	
25	01.MO.0018.L	Breathe tube	TUBO D.9X14	
29	02.SE.0020.L	Tank rapid release - valve	VALVOLA SGANCIO RAPIDO	
30	02.SE.0021.L	Tank rapid release - sup	ATTACCO SGANCIO RAPIDO	









