



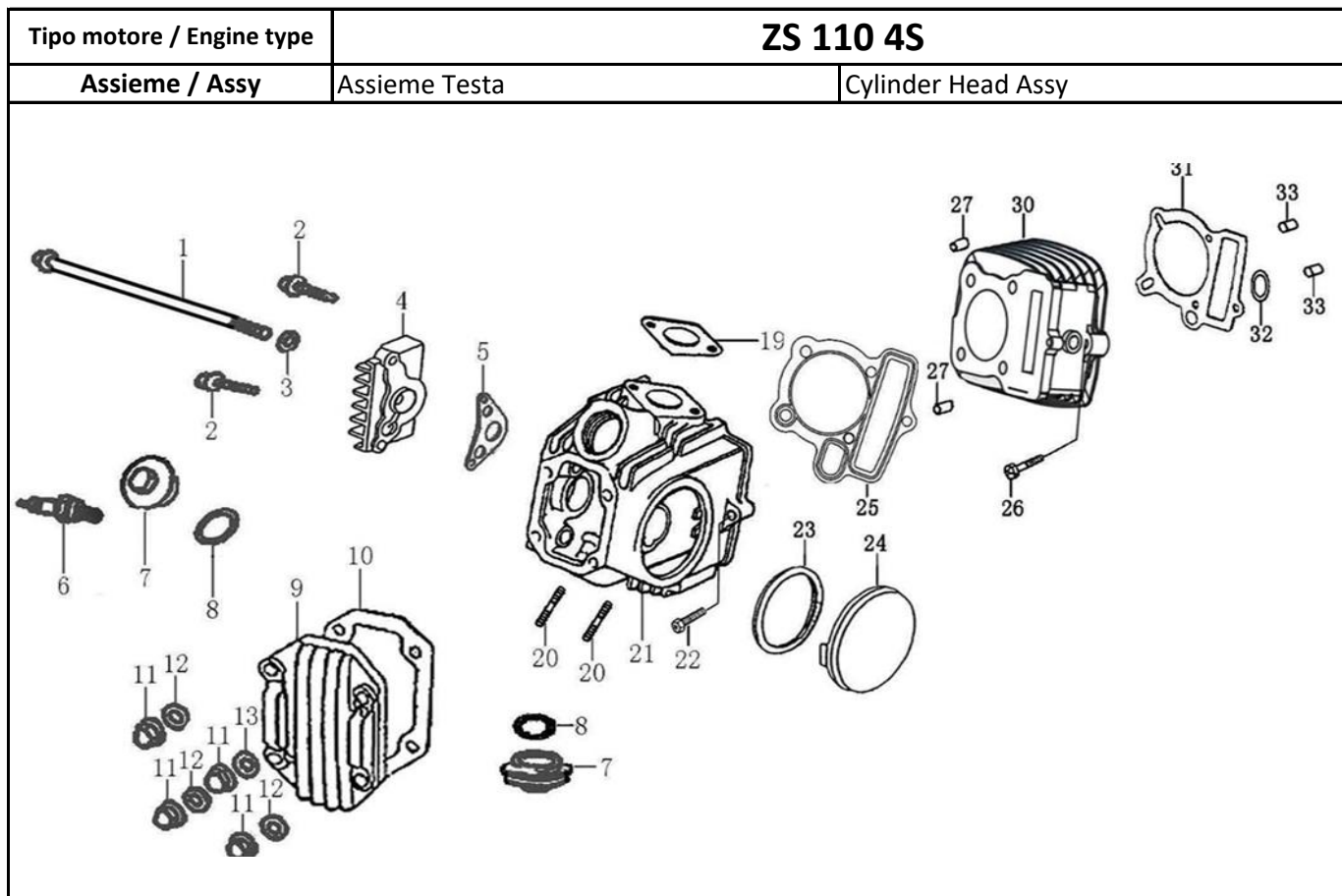
# ***Engine Spare parts Catalogue***

## ***Catalogo ricambi Motore***

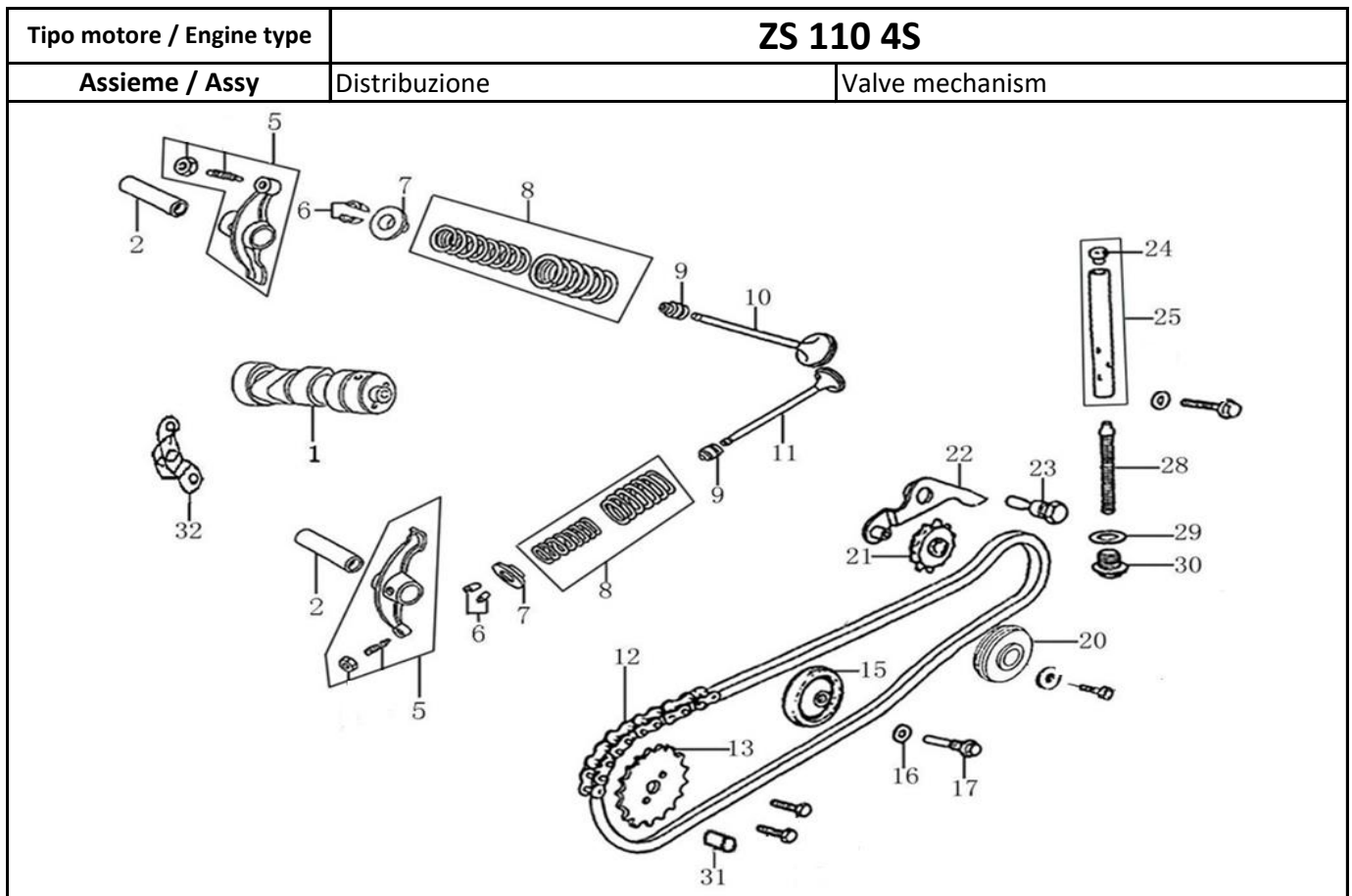
***110 4speed***



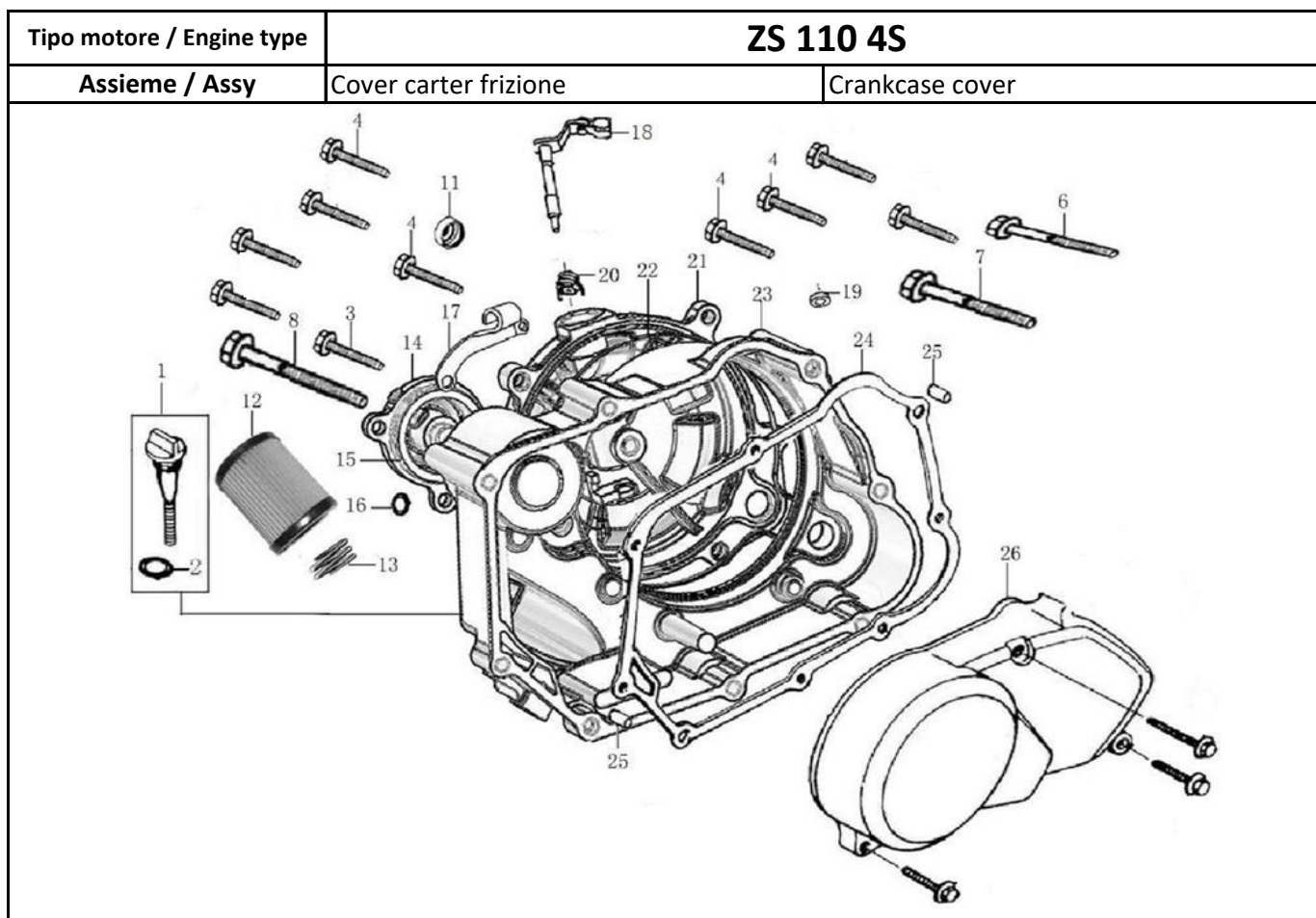
# ***OHVALE***



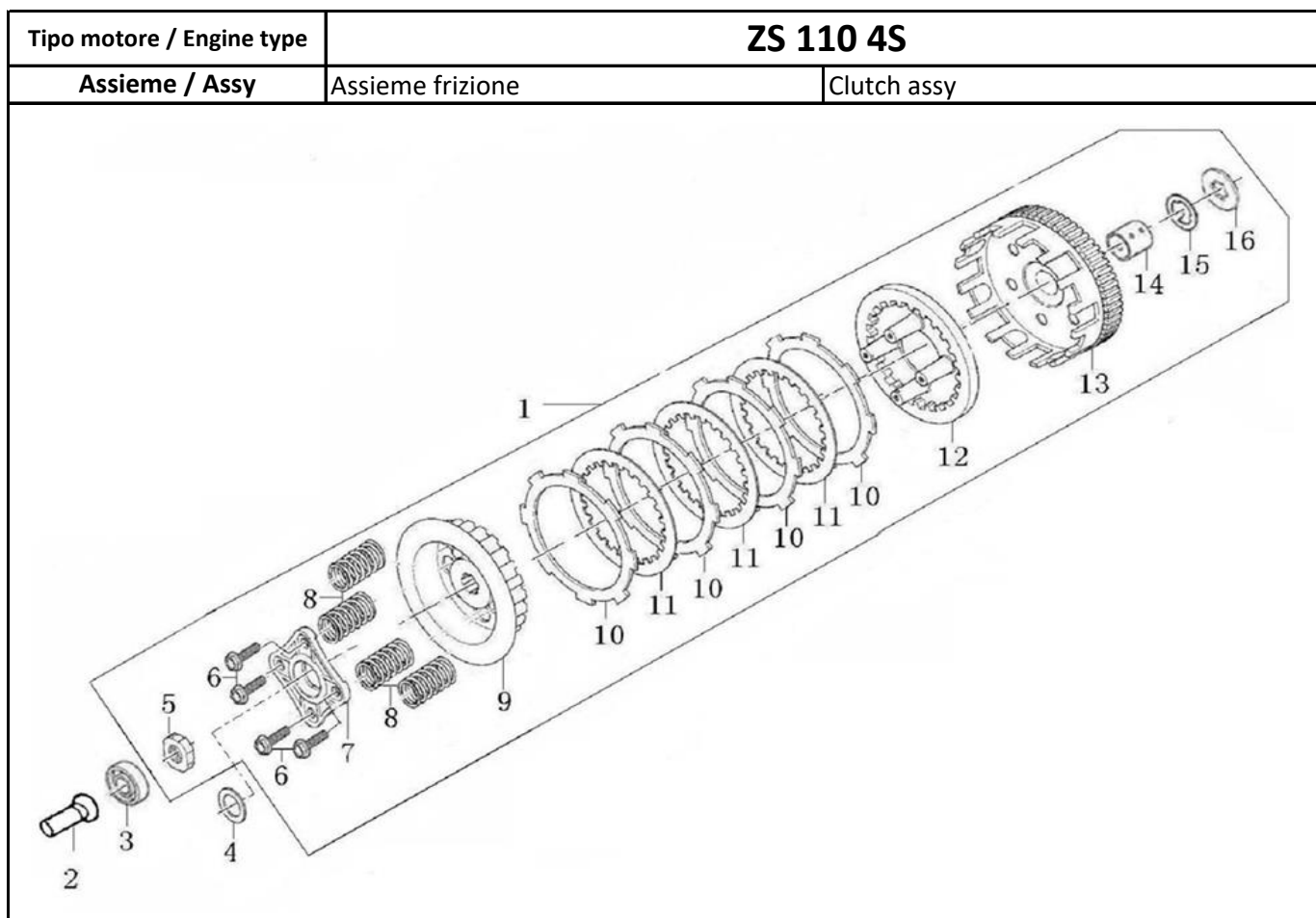
Num.	Cod.	Descrizione ITA	Description ENG
1	01.SZ.0101.L	VITE M6X110	BOLT M6 x 110
2	01.SZ.0102.L	VITE M6X110	BOLT M6 x 25
3	01.SZ.0103.L	GUARNIZIONE ALLUMINIO 6,5X12X1	WASHER 6,5 x 1x 12 (ALUMINIUM)
4	01.SZ.0104.L	COPERCHIO TESTA DX 110 4S	RIGHT COVER CYLINDER HEAD
5	01.SZ.0105.L	GUARNIZIONE COPER.DX 110 4S	GASKET CYLINDER HEAD RIGHT COV
6	01.MO.0016.L	CANDELA NGK C7HSA	SPARK PLUG NGK C7HSA
7	01.SZ.0107.L	COPERCHIO VALVOLE 110 4S	CAP ASSEMBLY TAPPET ADJUSTING
8	01.SZ.0108.L	O-RING COPERCHIO VALV	O-RING 29,6 x 3,2
9	01.SZ.0109.L	COPERCHIO TESTA 110 4S	UPPER COVER CYLINDER HEAD
10	01.SZ.0110.L	GUARNIZIONE COPER TESTA	GASKET CYLINDER HEAD UPPER COV
11	01.SZ.0111.L	DADO CIECO M7	NUT M7
12	01.SZ.0112.L	RONDELLA 7,3x2,5x14 ACCIAIO	WASHER 7,3 x 2,5 x 14 (IRON)
13	01.SZ.0113.L	RONDELLA 7,3x2,5x14 RAME	WASHER 7,3 x 2,5 x 14 (COPPER)
19	01.SZ.0119.L	GUARNIZIONE ASPIRAZ 1104S	INLET GASKET
20	01.SZ.0120.L	PRIGIONIERO TESTA 110 4S	STUD M6 x 32
21	01.SZ.0121.L	TESTA 110 4M	CYLINDER HEAD ASSEMBLY
22	01.SZ.0122.L	VITE M6X23	BOLT M6 x 23
23	01.SZ.0123.L	GUARNIZIONE COPER. SX	GASKET CYLINDER HEAD LEFT COVE
24	01.SZ.0124.L	COPERCHIO TESTA SX 110 4S	LEFT COVER CYLINDER HEAD
25	01.SZ.0125.L	GUARNIZIONE TESTA 110 4S	GASKET ASSEMBLY CYLINDER HEAD
26	01.SZ.0126.L	VITE M6X30	BOLT M6 x 30
27	01.SZ.0127.L	SPINA CENTRAGGIO 8x14x7	DOWEL PIN 8x14x7
30	01.SZ.0130.L	CILINDRO 110 4M	ASSEMBLY, CYLINDER BLOCK
31	01.SZ.0131.L	GUARNIZIONE CILINDRO 110 4S	GASKET, CYLINDER BLOCK
32	01.SZ.0132.L	GUARNIZIONE 11.5x16x2.5	RECTANGLE RING $\phi$ 11.5x16x2.5
33	01.SZ.0133.L	SPINA CENTRAGGIO 8x12x7	DOWEL PIN 8x12x7



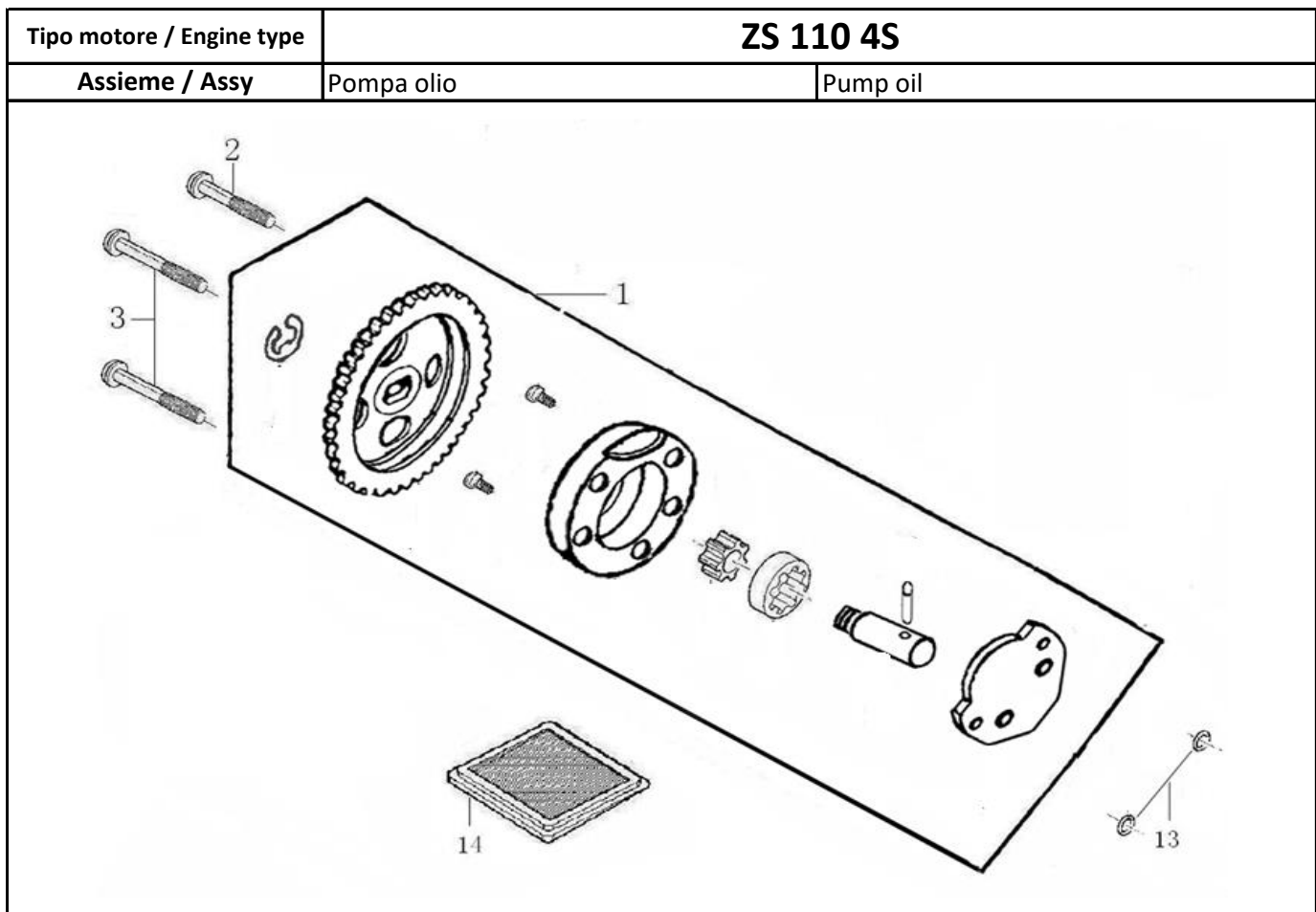
Num.	Cod.	Descrizione ITA	Description ENG
1	01.SZ.0201.L	ALBERO A CAMME 110 4S	CAMSHAFT PARTS
2	01.SZ.0202.L	ALBERO BILANCERE 110 4S	SHAFT, VALVE ROCKER ARM
5	01.SZ.0205.L	BILANCERE COMPL. 110 4S	ASSEMBLY, VALVE ROCKER ARM
6	01.SZ.0206.L	SEMICONO PIATTELLO 110 4S	VALVE COTTER
7	01.SZ.0207.L	PIATTELLO VALVOLA 110 4S	RETAINER, VALVE SPRING
8	01.SZ.0208.L	ASSIEME MOLLA VALVOLA	VALVE INNER SPRING
9	01.SZ.0209.L	PARAOILIO VALVOLA 110 4S	VALVE STEM SEAL ASSEMBLY
10	01.SZ.0210.L	VALVOLA ASPIRAZIONE 110 4S	INLET VALVE
11	01.SZ.0211.L	VALVOLA SCARICO 110 4S	EXHAUST VALVE
12	01.SZ.0212.L	CATENA DISTRIBUZIONE 110 4S	ASSEMBLY, TIMING CHAIN (90)
13	01.SZ.0213.L	CORONA DISTRIBUZIONE 110 4S	TIMING DRIVEN SPROCKET (32)
15	01.SZ.0215.L	GUIDA CATENA DIST 110 4S	ASSEMBLY,CAM CHAIN GUIDE ROLLER (38)
16	01.SZ.0216.L	RONDELLA 8.5×1.5×14 ALU	WASHER 8.5×1.5×14 (ALUMINIUM)
17	01.SZ.0217.L	VITE FISSAGGIO GUIDA CATENA	PIN SHAFT, GUIDE ROLLER(M8×27.5 )
20	01.SZ.0220.L	CORONA COND. POMPA OLIO	DRIVEN SPROCKET, OIL PUMP
21	01.SZ.0221.L	RULLO TENDICATENA 110 4S	ROLLER ASSEMBLY, CAM CHAIN TENSION
22	01.SZ.0222.L	BRACCIO TENDICATENA 110 4S	CAM CHAIN TENSION LEVER ASSEMBLY
23	01.SZ.0223.L	FISSAGGIO BRACCIO TENDIC.	AXLE, CAM CHAIN TENSION LEVER
24	01.SZ.0224.L	GOMMINO ASTA TENDIC 110 4S	RUBBER HEAD, CHAIN TENSION PUSH ROD
25	01.SZ.0225.L	ASTA TENDICATENA 110 4S	CHAIN TENSIONER PUSH ROD ASSEMBLY
28	01.SZ.0228.L	MOLLA TENDICATENA	SPRING, CAM CHAN TENSION PUSH ROD
29	01.SZ.0229.L	RONDELLA 14.2×1.5×20 ALU	WASHER 14.2×1.5×20 (ALUMINIUM)
30	01.SZ.0230.L	VITE M14X1.5	BOLT M14×1.5
31	01.SZ.0231.L	PIN 8×12×6.3	PIN 8×12×6.3



Num.	Cod.	Descrizione ITA	Description ENG
1	01.SZ.0301.L	ASTINA LIVELLO OLIO 110 4S	OIL RULER ASSY
2	01.SZ.0302.L	O-RING 18×3	O-RING 18×3
3	01.SZ.0303.L	VITE M6X40	BOLT M6×40
4	01.SZ.0304.L	VITE M6X50	BOLT M6×50
6	01.SZ.0306.L	VITE M6X55	BOLT M6×55
7	01.SZ.0307.L	VITE M6X85	BOLT M6×85
8	01.SZ.0308.L	VITE M6X125	BOLT M6×125
11	01.SZ.0311.L	OIL SEAL 13.8×24×5	OIL SEAL 13.8×24×5
12	01.MO.0035.L	FILTRO OLIO 110 4S	OIL FILTER
13	01.SZ.0313.L	MOLLA FILTRO OLIO 110 4S	SPRING, OIL FINE FILTER
14	01.SZ.0314.L	COPERCHIO FILTRO OLIO 110 4S	CAP, OIL FILTER
15	01.SZ.0315.L	O-RING 44×2.5	O-RING 44×2.5
16	01.SZ.0316.L	O-RING 8×1.8	O-RING 8×1.8
17	01.SZ.0317.L	SUPPORTO CAVO FRIZIONE 110 4S	CLUTCH CABLE HOLDER
18	01.SZ.0318.L	ASSIEME BRACCIO FRIZIONE 110 4S	CONTROLLING ARM ASSEMBLY, CLUTCH
19	01.SZ.0319.L	GUARNIZIONE 14×18.2×2.5	RECTANGLE RING 14×18.2×2.5
20	01.SZ.0320.L	MOLLA BRACCIO FRIZIONE 110 4S	CLUTCH CONTROLLING ARM SPRING
21	01.SZ.0321.L	COPERCHIO ESTERNO FRIZ. 110 4S	DECORATE COVER,R.CRANKCASE COVER
22	01.SZ.0322.L	O-RING 122×3	O-RING 122×3
23	01.SZ.0323.L	COPERCHIO FRIZIONE 110 4S	COVER COMP. RIGHT CRANKCASE
24	01.SZ.0324.L	GUARNIZIONE COPER. FRIZ 110 4S	GASKET, R.CRANKCASE COVER
25	01.SZ.0325.L	PIN 8×12×6.3	PIN 8×12×6.3
26	01.SZ.0326.L	COPERCHIO ACCENSIONE 110 4S	L.CRANKCASE COVER FRONT PART

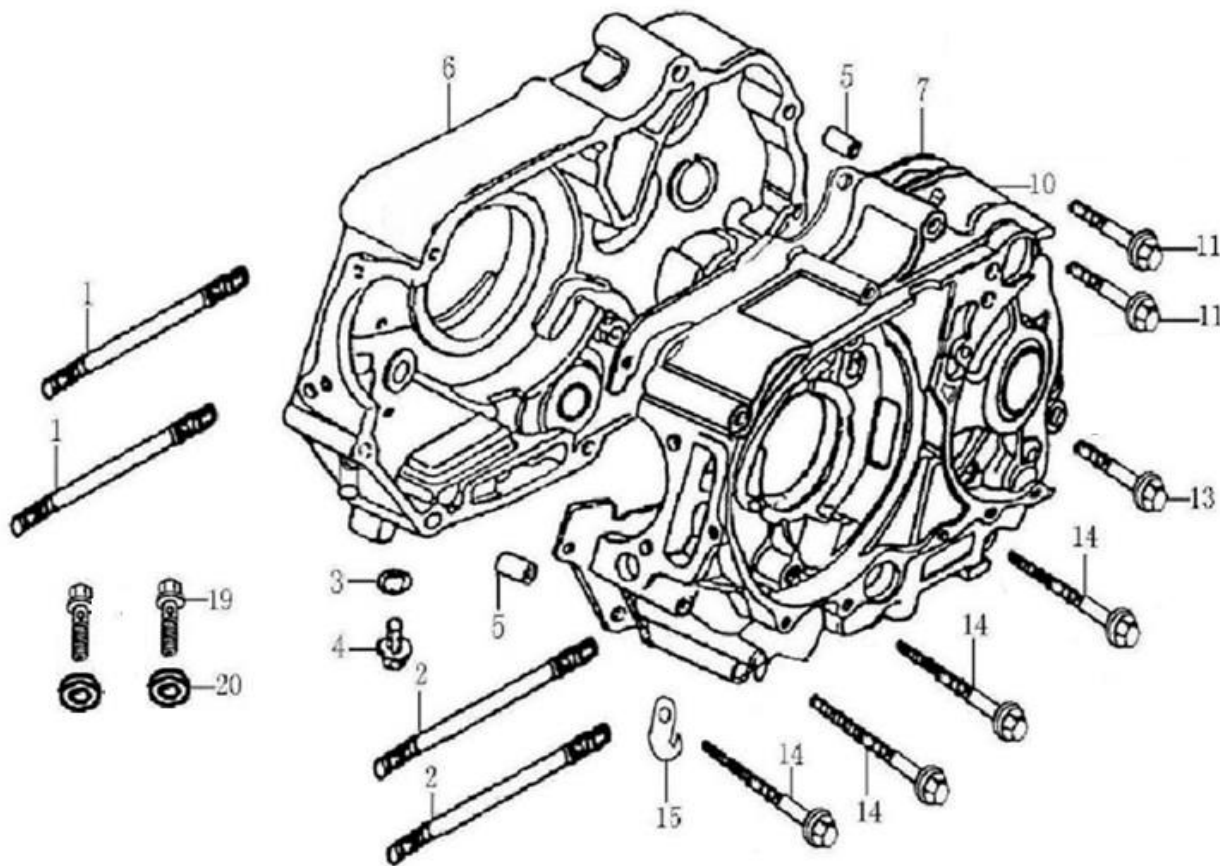


Num.	Cod.	Descrizione ITA	Description ENG
1	01.SZ.0401.L	ASSIEME FRIZIONE 110 4S	CLUTCH ASSY
2	01.SZ.0402.L	ATTUATORE FRIZIONE 110 4S	PUSHING ROD, CLUTCH
3	01.SZ.0403.L	CUSCINETTO 6000	BEARING (6000)
4	01.SZ.0404.L	RONDELLA FRIZIONE 110 4S	DISH WASHER, CLUTCH
5	01.SZ.0405.L	GHIERA FISSAGGIO FRIZIONE	LOCK NUT, CLUTCH
6	01.SZ.0406.L	VITE FISS. PIATTELLO	PLATE FIXING SCREW
7	01.SZ.0407.L	PIATTELLO FRIZIONE	END COVER, CLUTCH
8	01.SZ.0408.L	SET MOLLE FRIZIONE	SPRING SET, CLUTCH
9	01.SZ.0409.L	MOZZO CENTRALE FRIZIONE 110 4S	CENTER SLEEVE, CLUTCH
10	01.SZ.0410.L	SET DISCHI FRIZIONE 110 4S	SET DRIVE FRICTION DISK
11	01.SZ.0411.L	SET DISCHI FRIZIONE OUT 110 4S	SET OUTER FRICTION DISK A
12	01.SZ.0412.L	PIATTO FRIZIONE 110 4S	PRESSURE PLATE, CLUTCH
13	01.SZ.0413.L	CAMPANA FRIZIONE 110 4S	OUT CASE ASSEMBLY, CLUTCH
14	01.SZ.0414.L	MANICOTTO FRIZIONE 110 4S	SLEEVE, CLUTCH
15	01.SZ.0415.L	ANELLO FISSAGGIO FRIZIONE	FIXING RING, CLUTCH
16	01.SZ.0416.L	RONDELLA	WASHER

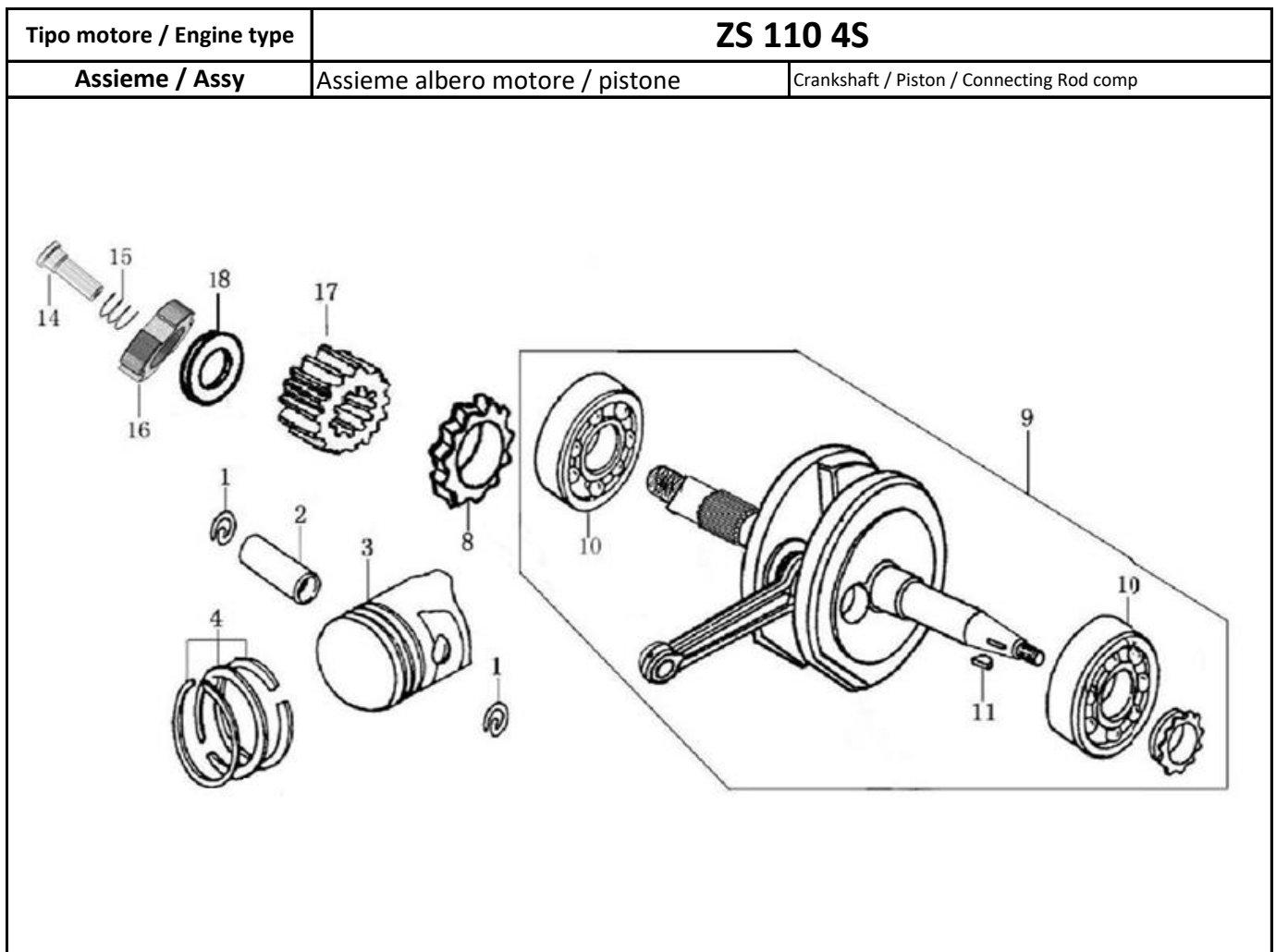


Num.	Cod.	Descrizione ITA	Description ENG
1	01.SZ.0501.L	ASSIEME POMPA OLIO 110 4S	OIL PUMP ASSY
13	01.SZ.0513.L	O-RING 9.4x2.4	O-RING 9.4x2.4
14	01.SZ.0514.L	FILTRO INT OLIO 110 4S	STRAINER,OIL FILTER

Tipo motore / Engine type	<b>ZS 110 4S</b>	
Assieme / Assy	Carter	Crankcase

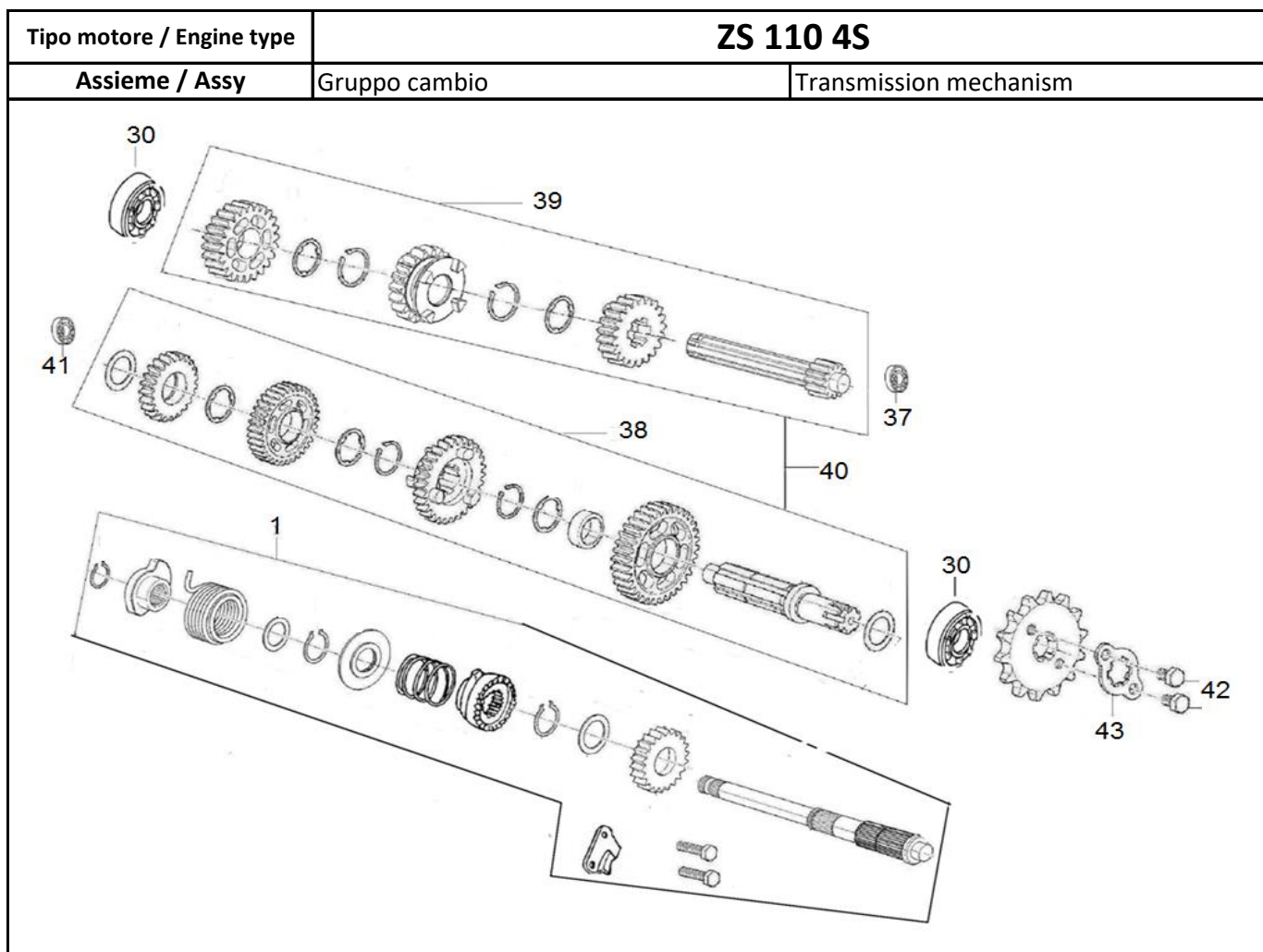


Num.	Cod.	Descrizione ITA	Description ENG
1	01.SZ.0601.L	PRIGIONIERO B 110 4S	CYLINDER STUD BOLT B
2	01.SZ.0602.L	PRIGIONIERO A 110 4S	CYLINDER STUD BOLT A
3	01.SZ.0603.L	RONDELLA 12.4×2×20	WASHER 12.4×2×20
4	01.SZ.0604.L	VITE SCOLO OLIO 110 4S	OIL DRAIN PLUG
5	01.SZ.0605.L	PIN 10×14	PIN 10×14
6	01.SZ.0606.L	CARTER DX 110 4S	RIGHT CRANKCASE BLOCK
7	01.SZ.0607.L	GUARNIZIONE CENTR. CARTER 110 4S	GASKET, CRANKCASE
10	01.SZ.0610.L	CARTER SX 110 4S	LEFT CRANKCASE BLOCK
11	01.SZ.0611.L	VITE M6X60	BOLT M6×60
13	01.SZ.0613.L	VITE M6X50	BOLT M6×50
14	01.SZ.0614.L	VITE M6X65	BOLT M6×65
19	01.OT.0114.L	VITE FORATA OLIO M10	HOLED OIL SCREW M10
20	01.OT.0113.L	RONDELLA RAME M10	COPPER WASHER M10

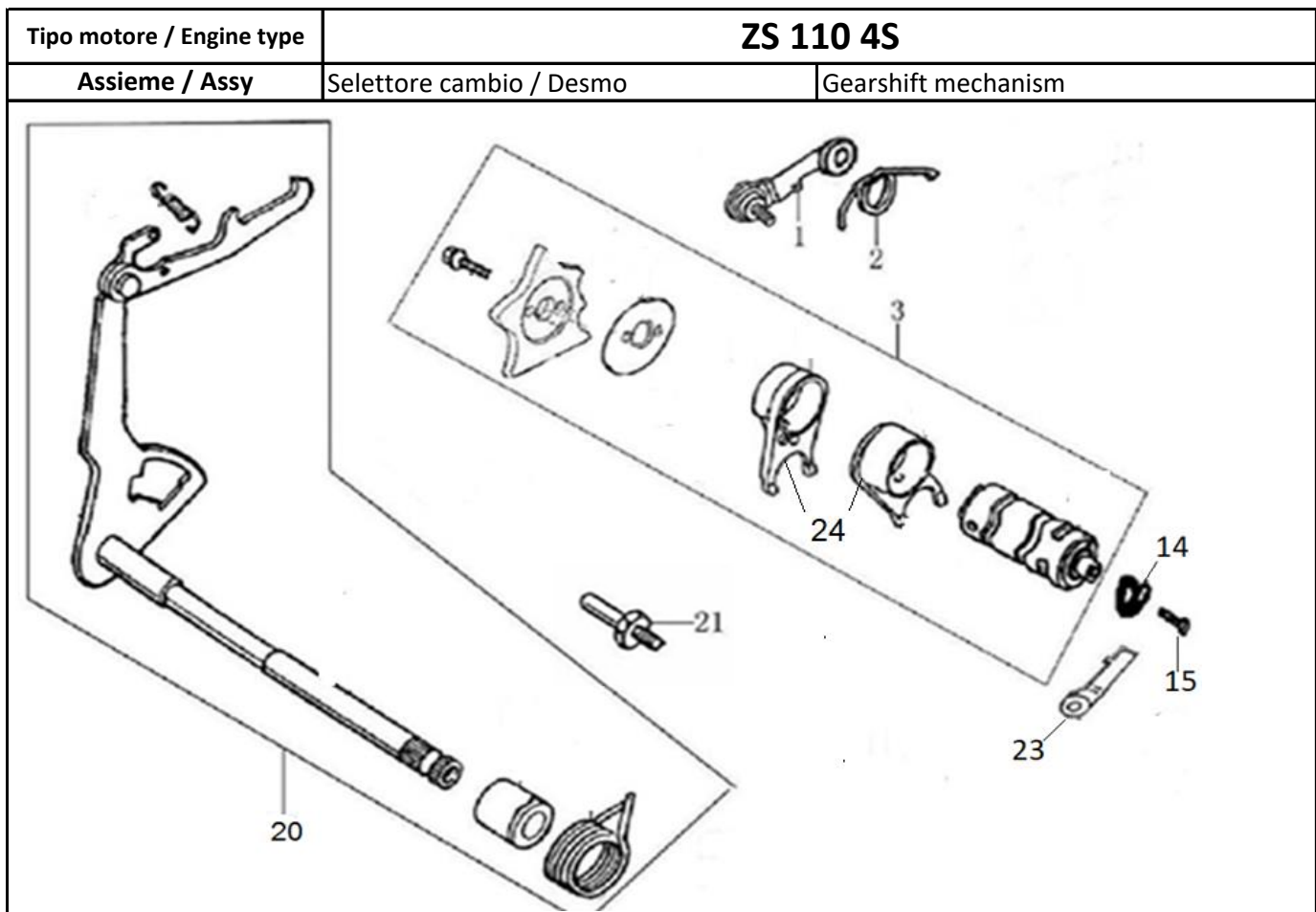


Num.	Cod.	Descrizione ITA	Description ENG
1	01.SZ.0701.L	ANELLO ELASTICO PISTONE 110 4S	CHECK RING, PISTON PIN
2	01.SZ.0702.L	SPINOTTO PISTONE 110 4S	PIN PISTON
3	01.SZ.0703.L	PISTONE 110 4S	PISTON
4	01.SZ.0704.L	KIT FASCE EL. PISTONE 110 4S	PISTON RING COMP
8	01.SZ.0708.L	PIGNONE POMPA OLIO 110 4S	DRIVE GEAR,OIL PUMP
9	01.SZ.0709.L	ALBERO MOTORE COMPLETO 110 4S	CRANKSHAFT CONNECTING-ROD ASSY
10	01.SZ.0710.L	CUSCINETTO 56×22×15	BEARING (TM-SC04A86/P5CS12 56×22×15)
11	01.SZ.0711.L	CHIAVETTA 110 4S	SEMICIRCULAR KEY
14	01.SZ.0714.L	BUSH	BUSH
15	01.SZ.0715.L	MOLLA	SPRING, OIL PIPE
16	01.SZ.0716.L	GHIERA FISSAGGIO	LOCK NUT, CLUTCH
17	01.SZ.0717.L	INGRANAGGIO PRIMARIO 110 4S	PRIMARY DRIVE GEAR
18	01.SZ.0718.L	RONDELLA FRIZ	DISH WASHER, CLUTCH



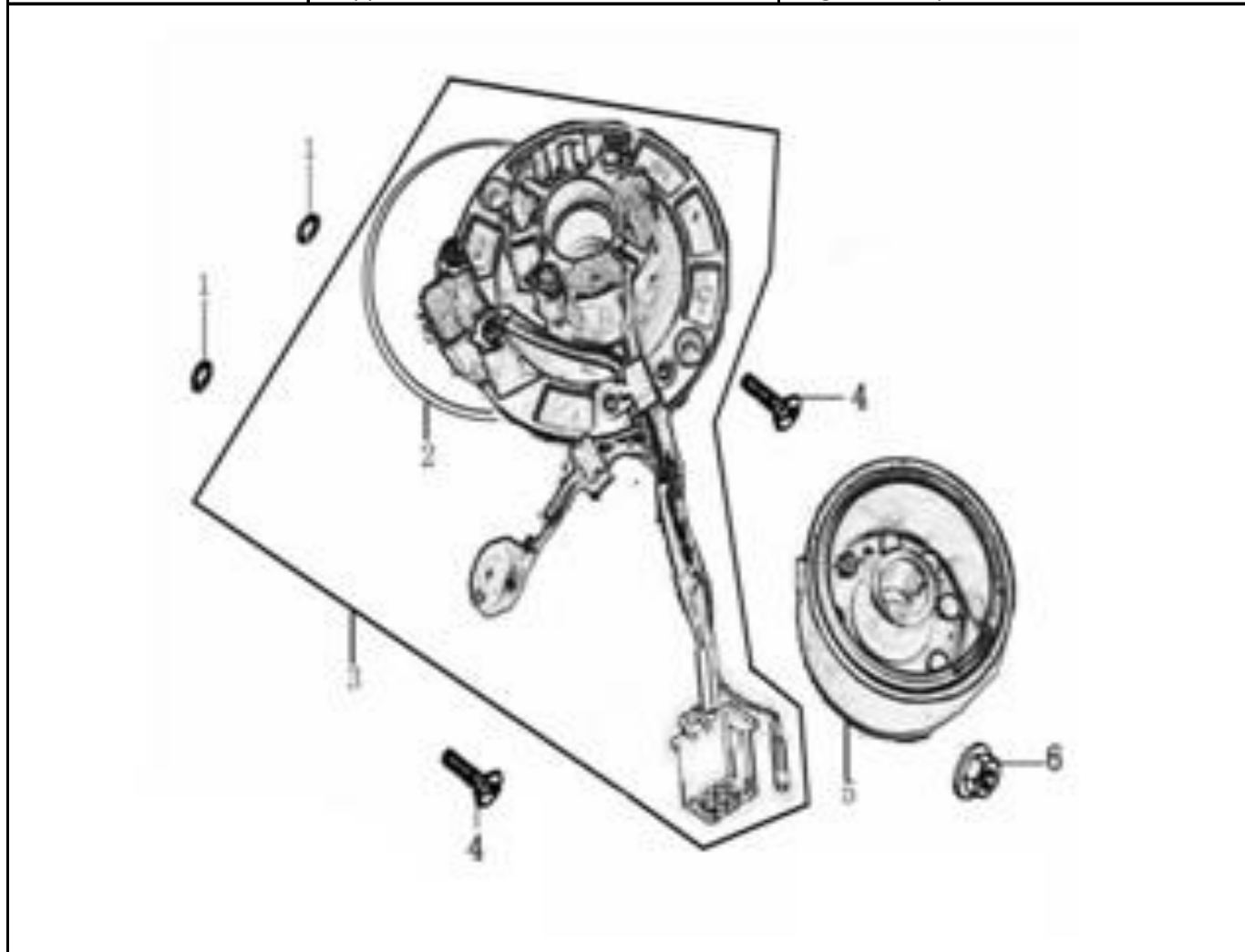


Num.	Cod.	Descrizione ITA	Description ENG
1	01.SZ.0801.L	ASSIEME ALBERO KICK 110 4S	KICK STARTING SHAFT ASSEMBLY
30	01.SZ.0830.L	CUSCINETTO 6203	BEARING (6203)
37	01.SZ.0837.L	CUSCINETTO 6001	BEARING (6001)
38	01.SZ.0838.L	ASSIEME SECONDARIO 110 4S	COUNTERSHAFT TRANSMISSION
39	01.SZ.0839.L	ASSIEME PRIMARIO 110 4S	MAIN SHAFT, TRANSMISSION
40	01.SZ.0840.L	KIT CAMBIO COMPLETO 110 4S	TRANSMISSION MAIN, COUNTER SHAFT
41	01.SZ.0841.L	CUSCINETTO 6201	BEARING (6201)
42	01.SW.0813.L	VITE TE M6X10	SCREW M6x10
43	01.SW.0814.L	PIASTRINA FISSAGGIO PIGNONE	PLATE, PINION FIX

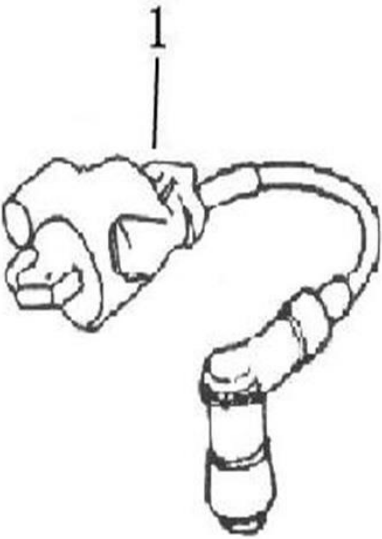
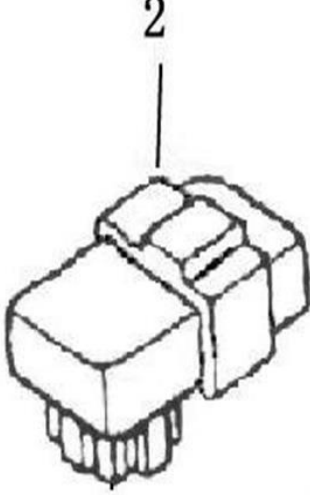


Num.	Cod.	Descrizione ITA	Description ENG
1	01.SZ.0901.L	FERMO MARCIA INSERITA 110 4S	LOCATING PLATE ASSY
2	01.SZ.0902.L	MOLLA FERMO MARCIA 110 4S	SPRING ,LOCATING PLATE
3	01.SZ.0903.L	DESMODROMICO CAMBIO 110 4S	GEARSHIFT DRUM COMP
14	01.SZ.0914.L	INDICATORE MARCIA 110 4s	CONTACT,GEAR INDICATION
15	01.SZ.0915.L	VITE TCEI M6X16	BOLT, HEXAGON SOCKET M6
20	01.SZ.0920.L	ATTUATORE CAMBIO COMP. 110 4S	GEARSHIFT SHAFT COMP
21	01.SW.0921.L	VITE SELETTORE 160 4S	BOLT, RETURN SPRINGN FIXING 8×11
23	01.SZ.0923.L	FERMO SENSORE NEUTRAL	PLATE, LOCATING SWITCH NEUTRAL
24	01.SZ.0924.L	SET FORCHETTE DESMO (2PZ)	DRUM FORK (2PC)

<b>Tipo motore / Engine type</b>	<b>ZS 110 4S</b>	
<b>Assieme / Assy</b>	Gruppo statore	Magneto comp.



Num.	Cod.	Descrizione ITA	Description ENG
1	01.SZ.1001.L	O-RING 6.5x1.8	O-RING 6.5x1.8
2	01.SZ.1002.L	O-RING 106.8x2	O-RING 106.8x2
3	01.SZ.1003.L	ASSIEME STATORE COMPL 110 4S	STATOR ASSY,MAGNETO
5	01.SZ.1005.L	VOLANO 110 4S	ROTOR ASSY,MAGNETO
6	01.SZ.1006.L	DADO FISSAGGIO VOLANO 110 4S	NUT

<b>Tipo motore / Engine type</b>	<b>ZS 110 4S</b>	
<b>Assieme / Assy</b>	Parte elettrica	Electric
<div style="display: flex; justify-content: space-around; align-items: center;"> <div style="text-align: center;"> <p>1</p>  </div> <div style="text-align: center;"> <p>2</p>  </div> </div>		

Num.	Cod.	Descrizione ITA	Description ENG
1	01.MO.0203.L	BOBINA ZS 160 e 110 4S	IGNITION COIL
2	01.MO.0066.L	CENTRALINA ZS 160 e 110 4S	C.D.I
	01.MO.0204.L	CABLAGGIO ZS 160 e 110 4S	WIRING COMPL.